



Gobius 4i, version 4.0 (industrial version)

Pump control and external display connection

The industrial version of Gobius has functionality to make a pump start and stop at different levels. You may also connect external instrument (gauges) via the analogue output.

The following settings are possible:

- Pump from empty to full or from full to empty tank
- Interval between measuring; 1, 5, 10 or 20 minutes
- Interval between measuring when pumping; 10 seconds

All alternatives as well as how to change settings are described in Gobius installation guide.

Pumping from empty to full tank

The functionality is as follows:

As the level of the liquid sinks below the lowest sensor ($\frac{1}{4}$), Gobius sends a signal to a relay (12 - 24 volts), enabling a pump to start to fill the tank.

Once the level of the liquid passes the uppermost sensor ($\frac{3}{4}$), Gobius will cut off this signal and the pump stops.

Pumping from full to empty tank

The functionality is as follows:

As the level of the liquid passes over the uppermost sensor ($\frac{3}{4}$), Gobius sends a signal to a relay (12 - 24 volts), enabling a pump to start to empty the tank.

Once the level of the liquid goes below the lowest sensor ($\frac{1}{4}$), Gobius will cut off this signal and the pump stops.



Electrical specification

Supply Voltage: 10 ~ 29 V DC

Supply Current: 200 mA maximum (Operating)
30 mA maximum (Idle)

Relay Driver Output:

Maximum voltage: 29 V DC

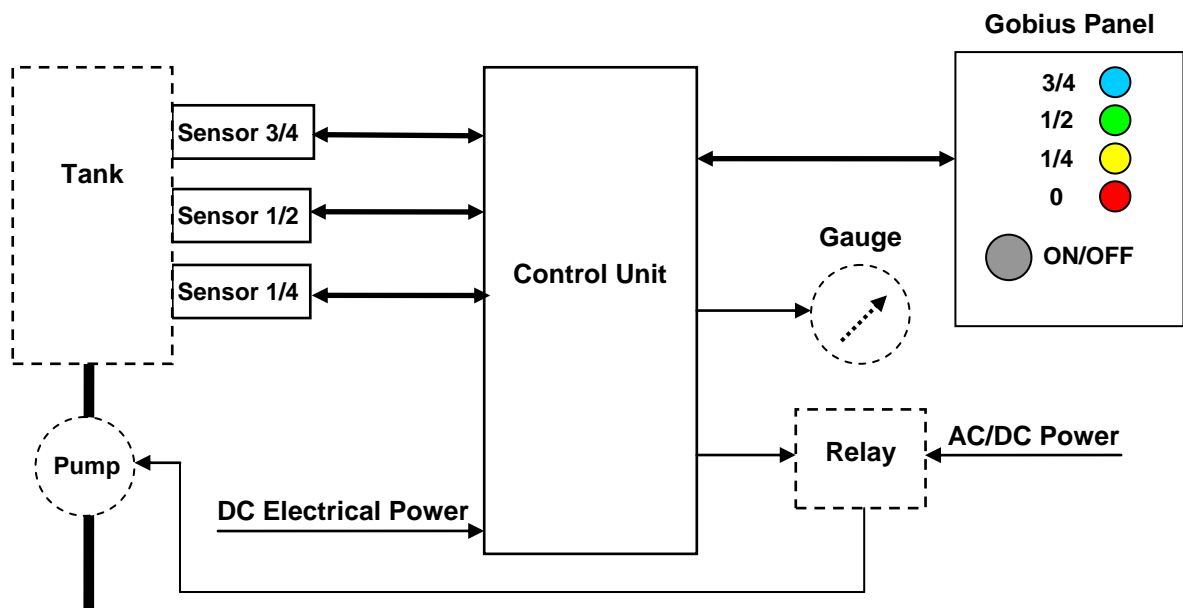
Maximum current: 0.5 A

Analogue Output: 4 - 20 mA current loop
10 -180 Ohm
240 – 33 Ohm

Voltage: 29V DC maximum

Output current: 18 mA at level $\frac{3}{4}$
14 mA at level $\frac{1}{2}$
10 mA at level $\frac{1}{4}$
6 mA at level 0

System Overview





External Connections

